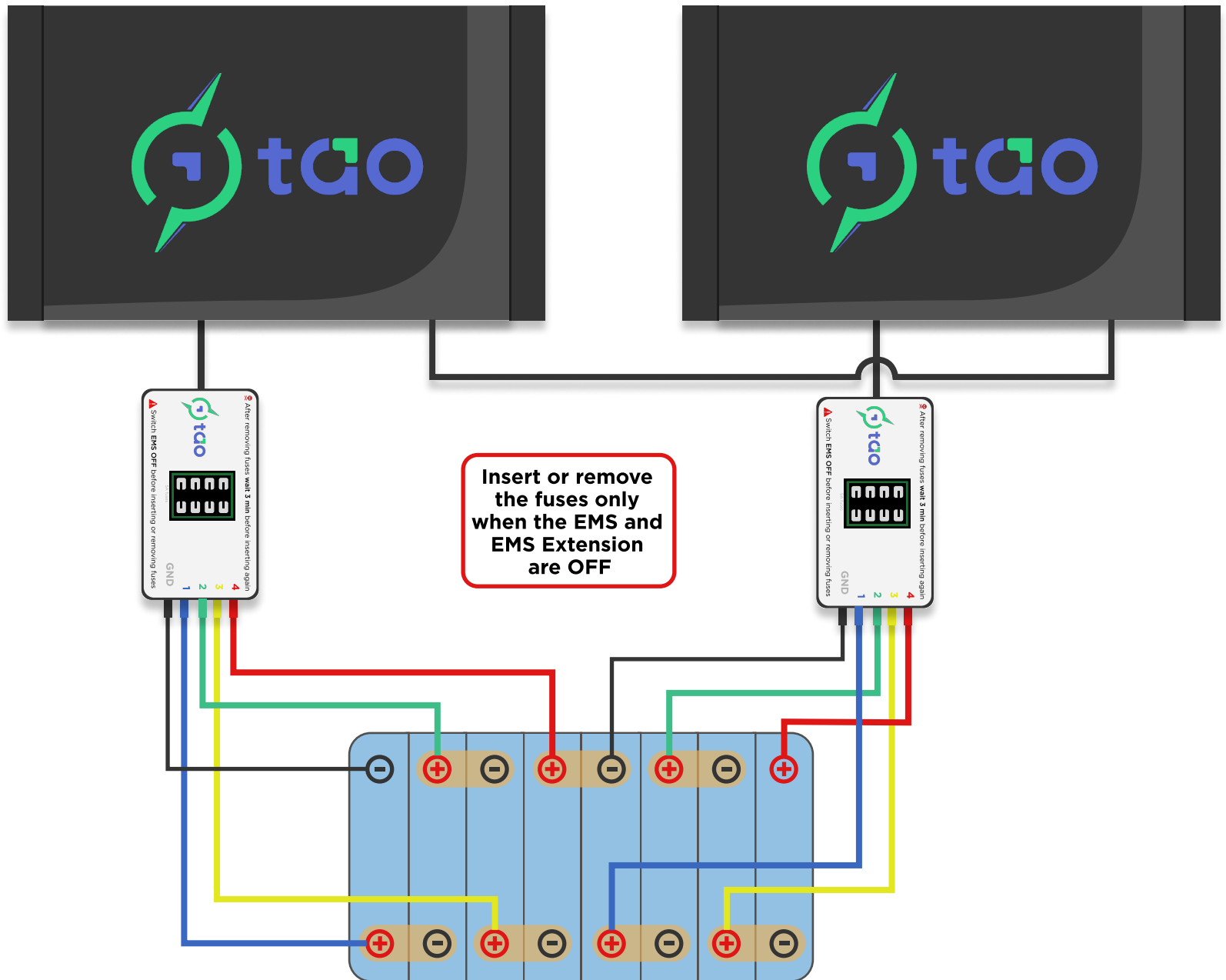


TAO EMS and Extension connection for 24 volt battery

Switch ON order:
1 - Extension
2 - EMS

Switch OFF order:
1 - EMS
2 - Extension



8 lithium cells in series (8S) = 24 volt